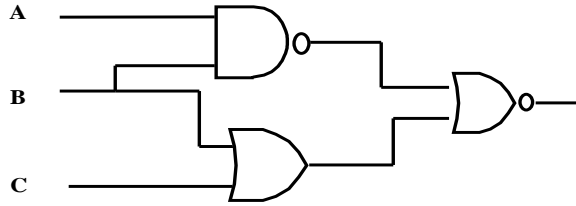


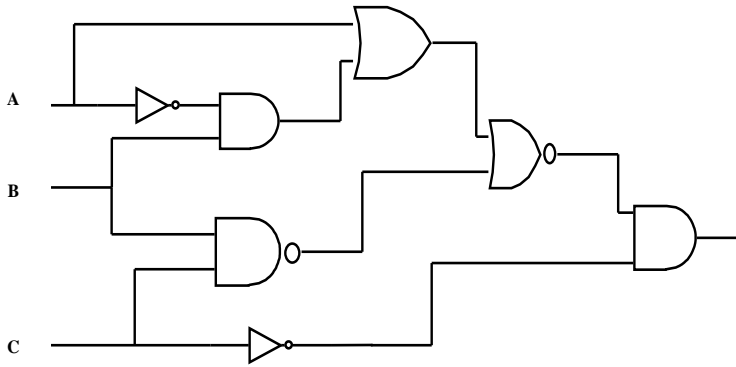
DIGITAL ELECTRONICS

1. What ordered triple(s) make the following circuit TRUE?



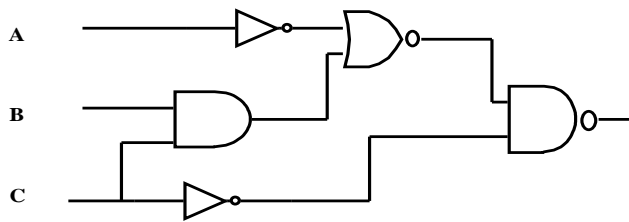
None

2. How many ordered triple(s) make the circuit TRUE?



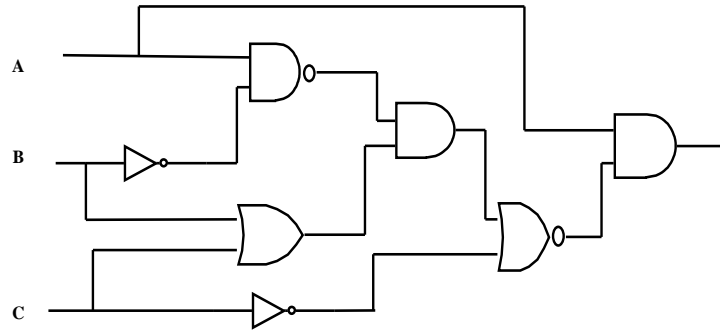
None

3. What ordered triple(s) make the following circuit FALSE?



(1, *, 0)

4. Simplify the Boolean expression represented by the circuit below.



$\overline{A}BC$